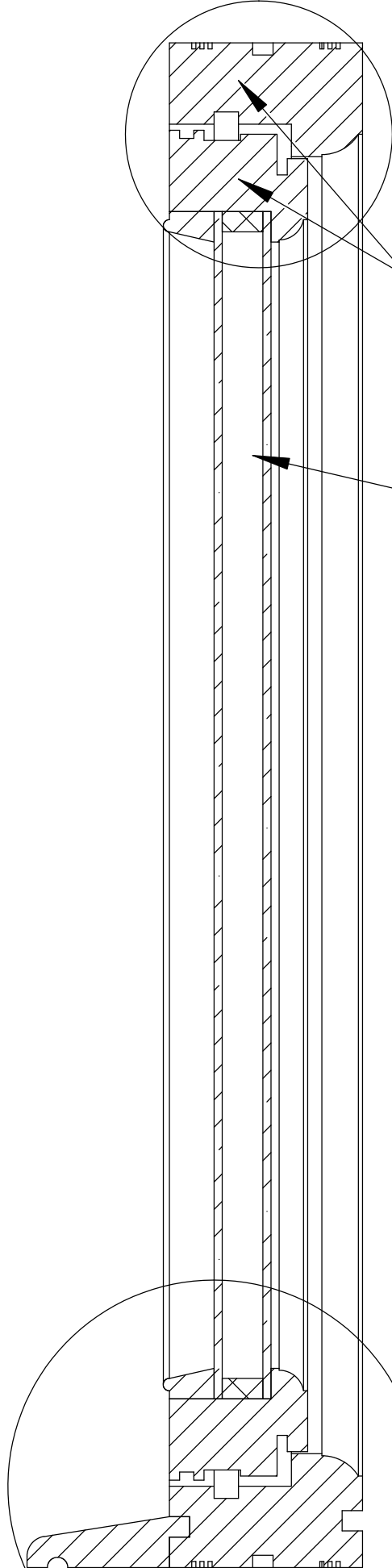


# ProSpec Flush Casement

Flush VS 2.0 Technical Drawing Sheet 01 March 2009

Please note that non critical changes may occur without notice



## Various Styles Available:

- Vertical Bar
- Horizontal Bar
- Cottage
- Georgian

**Laminated Sections:**  
Reduces warp & twist  
Less wasteful

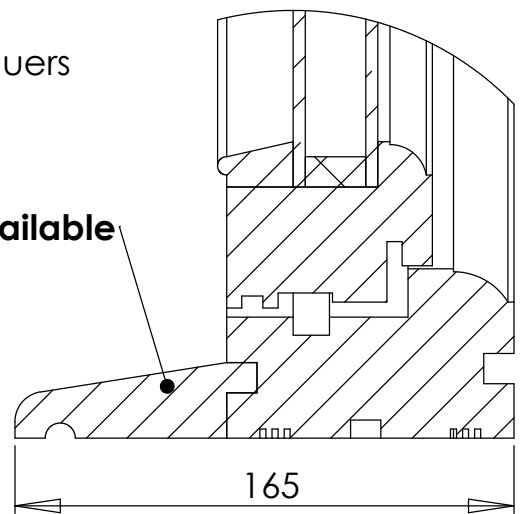
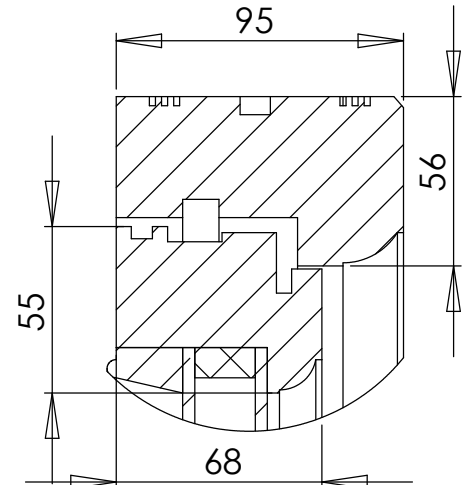
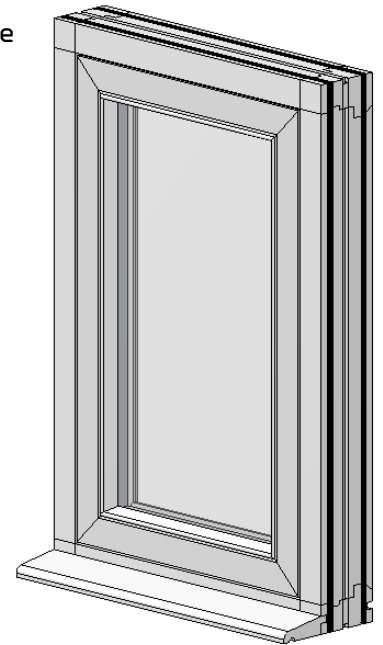
**Glazing Regate:**  
Houses up to 28mm units  
Typical U value 1.0  
Toughened glass options

**Hardware:**  
Multi point locking  
Stainless steel hinges  
Trickle ventilation  
Locking handles  
Period iron work available

**Finish:**  
Sigma Microporous high performance paints & laquers

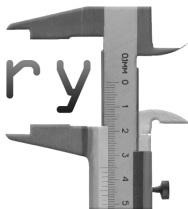
## Various Sill Projections Available

**CE Passed:**  
Acoustic performance  
Thermal transmittance  
Watertightness  
Resistance to wind  
Air permability



# ProSpec Joinery

High spec, low cost, building solutions



[www.prospecjoinery.co.uk](http://www.prospecjoinery.co.uk)